

### Features

- Vitreous china
- Elongated bowl
- Includes seat
- Includes polished chrome trip lever
- Siphonic wash-down flushing system
- 3.75 liter per flush
- 305 mm rough-in for S-trap
- 710 x 460 x 760 mm

## TWO-PIECE TOILET WITH SEAT K-17285X



### Codes/Standards Applicable

Specified model meets or exceeds the following:

- ASME A112.19.2/CSA B45.1
- TIS 792-2554

### Technical Information

Fixture:	
Configuration	two-piece, elongated
Water per flush	3.75 liter
Passageway	51 mm
Water area	140 x 117 mm
Water depth from rim	201 mm
Seat post hole centers	140 mm

Included Components:	
Bowl	K-17286K
Tank	K-17287X-LT
Tank cover	1062357-SP
Elongated seat	K-2655K

### Installation Notes

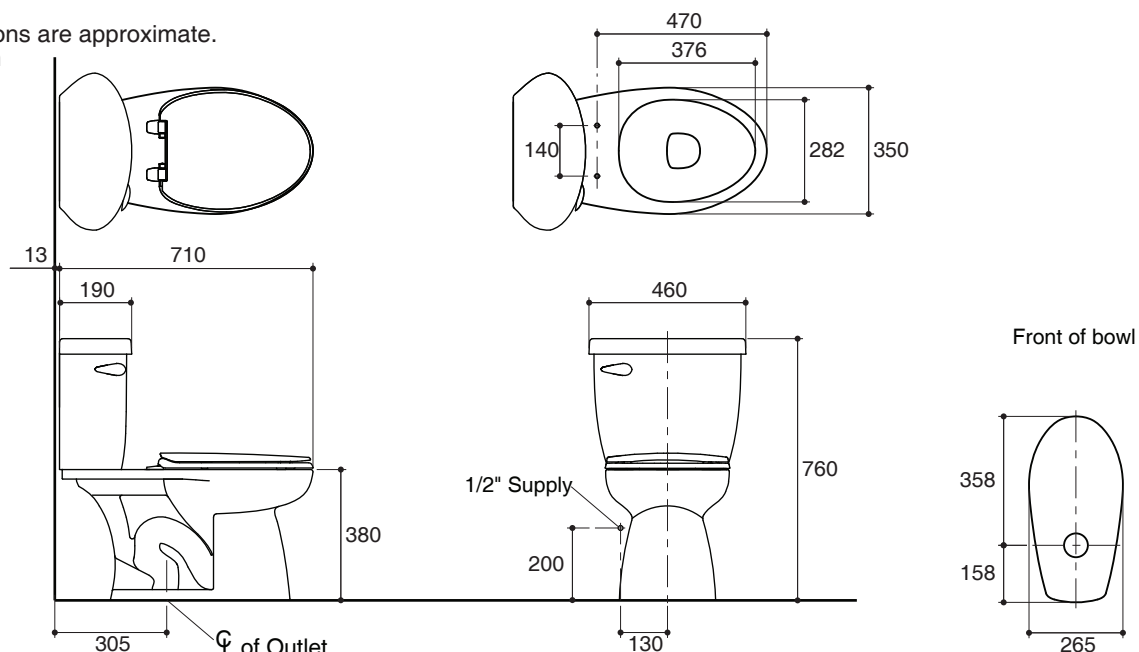
Install this product according to the installation guide.

### Specified Model

Model	Description	Color/Finished
K-17285X	Kanok two-piece toilet, S-trap with seat	WK: Diamond White

Recommended Accessories		Color/Finished
1085674	Floor flange kit	WK: Diamond White

Dimensions are approximate.  
Unit: mm



Note: The recommended dimension for installation can be adjusted according to user preferences and layout.

### Product Diagram

